

SR-A12L

LINE ARRAY SPEAKER

Featuring the line arrayed wave front control technology that creates sound fields with uniform sound pressure and high sound clarity, the SR-A12L is a two-way line array speaker ideal for long distance sound transmission. The SR-A12L employs the multi-amplifier drive system. Recommended digital speaker processor is the DP-SP3.



Order no: SR-A12L

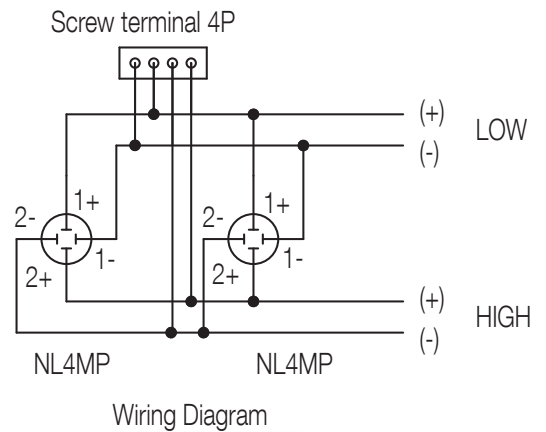
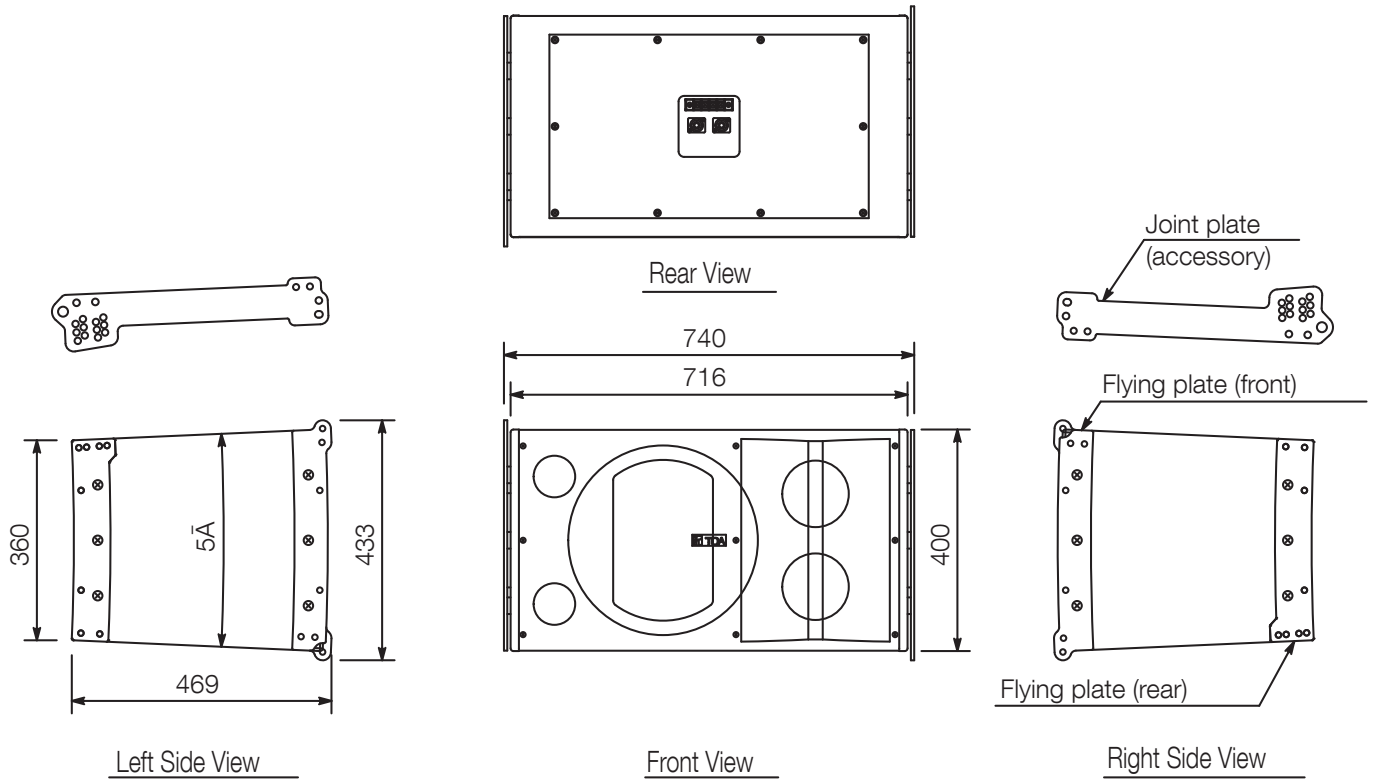
Specifications

Frequency response	50 Hz - 20 kHz
Connection	M5 screw terminal, distance between barriers: 12.2 mm and Neutrik NL4MP x 2 (usable cable connector: Neutrik NL4FC)
Sensitivity (1#W, 1#m) (combined)	Low frequency: 98 dB High frequency: 110 dB
Speaker component	Low frequency: 30 cm cone-type High frequency: Wave front control horn 90° (horizontal) × 5°(vertical) + compression driver × 2
Directivity angle horizontal	90 °
Directivity angle vertical	5 °
Rated impedance	8 Ω, 16 Ω
Crossover frequency	1 kHz
Power handling capacity	Continuous program: Low frequency: 450 W, High frequency: 180 W
Dimensions (W x H x D)	740 x 433 x 469 mm
Dimensions (ø x D)	x 469 mm
Finish	Plywood, paint, black (RAL 9005 or equivalent)

SR-A12L

LINE ARRAY SPEAKER

Appearance



UNIT:mm

SCALE:1/15