

# SR-A18B

LINE ARRAY SPEAKER

The SR-A18B is a sub-woofer system designed to be used in conjunction with the SR-A12L or SR-A12S Line array speaker. The SR-A18B employs the multi-amplifier drive system. Recommended digital speaker processor is the DP-SP3.



Order no: SR-A18B

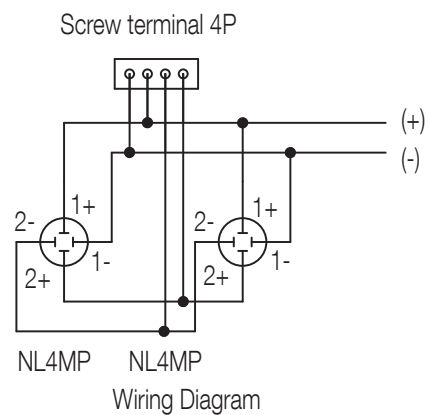
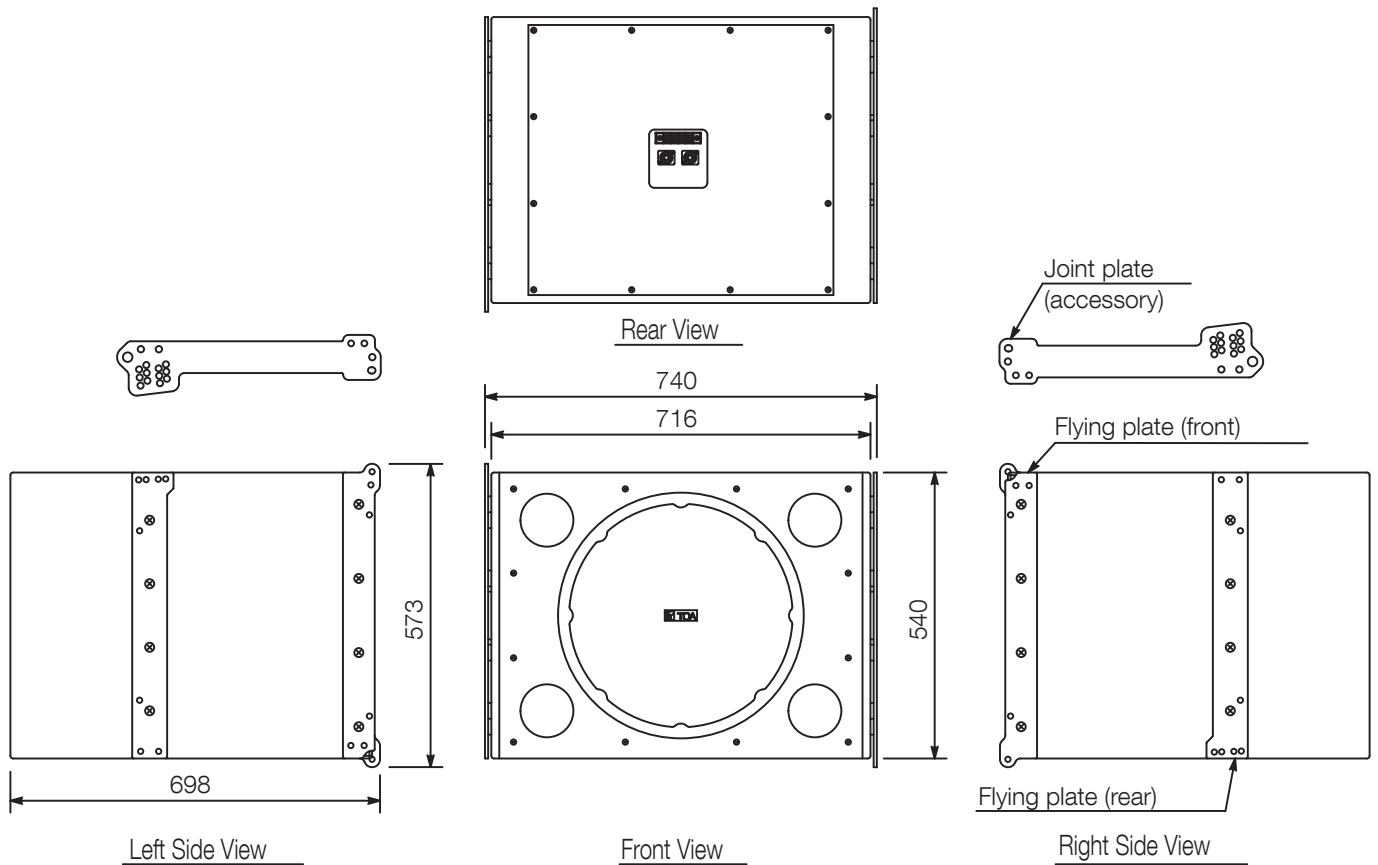
## Specifications

Frequency response	40 Hz - 400 Hz
Connection	M5 screw terminal, distance between barriers: 12.2 mm and Neutrik NL4MP x 2 (usable cable connector: Neutrik NL4FC)
Speaker component	46 cm cone-type
Rated impedance	8 Ω
Crossover frequency	80 Hz
Power handling capacity	Continuous program: 720 W
Dimensions (W x H x D)	740 x 573 x 698 mm
Dimensions (ø x D)	x 698 mm
Finish	Plywood, paint, black (RAL 9005 or equivalent)

# SR-A18B

LINE ARRAY SPEAKER

Appearance



UNIT:mm SCALE:1/15